

# CCTV Unit

## Closed Circuit Television

SITE-EYE from SMH is a fully enclosed and portable CCTV kit used for site monitoring in the asbestos industry with 4 wired cameras and a digital video recorder. Utilising this equipment to monitor access to contaminated areas will help you comply with the Control of Asbestos Regulations.

The SITE-EYE unit is designed to be transported with ease by being fully contained within its carry case. The standard unit features a built in 18.5" display within the case, and it's simple interface can be controlled with the mouse provided. It comes with 4 cameras as standard but an additional 4 can be provided if necessary.

This system will allow you to demonstrate your high standard of commitment to safety to the HSE.

Saved footage can be used in several ways to benefit your needs, such as:

- Maintaining a record of completed work
- For use in training courses
- To demonstrate compliance
- To settle disputes on completed work

**SITE-EYE**  
 KEEPING AN EYE ON COMPLIANCE



### Interface Plate



### At a glance

- CCTV System with 8 channels and 4-8 cameras
- Fully portable in a single case on wheels
- 4 x 20m camera leads with 4 x additional 15m extension cables
- Supports USB port for easy file transfer of recordings
- User-friendly layout with built in mouse
- High definition cameras with high frame rate
- Easy to view all cameras simultaneously or single camera full screen
- Remote viewing capability option from your mobile phone using App.
- Available to purchase – Quote B004939 or speak to your local branch
- Repairs and spares available from your local SMH branch

### Contact your nearest branch

Romsey  
 01794 52 4000  
 romsey@smhproducts.com

Bristol  
 01174033665  
 bristol@smhproducts.com

London  
 01277810035  
 london@smhproducts.com

Cardiff  
 02920780790  
 cardiff@smhproducts.com

Birmingham  
 01213286000  
 birmingham@smhproducts.com

Leeds  
 01132799003  
 leeds@smhproducts.com

Glasgow  
 0141 556 6600  
 glasgow@smhproducts.com

St Helens  
 0174426660  
 sthelens@smhproducts.com

Washington  
 01914566002  
 washington@smhproducts.com

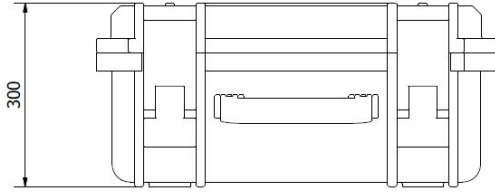
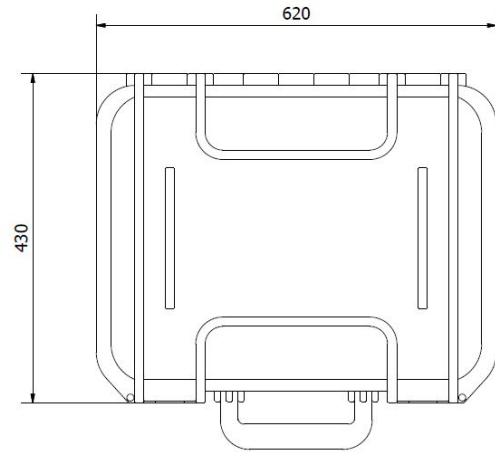
Nottingham  
 01623720121  
 nottingham@smhproducts.com

# Technical specification for the SMH CCTV Unit

## Specifications

<b>Case</b>	Impact resistant carry case Insulated with packing foam Wheels for easy transportation
<b>Power Supply</b>	Standard power cable Adaptor for 110V supply
<b>Interface</b>	18.5" Display Mouse 8 x Camera channels 1 x USB port Simple to use Graphical User Interface
<b>Hardware and Software</b>	24FPS 720 x 576 video quality with H264 compression for reduced file size 1TB hard drive storage Manual or scheduled recording modes Built in storage status indicator Backup to USB memory Video motion detection Password protection
<b>Weight</b>	23kg

## Dimensions (mm)



\*NOT TO SCALE

## Contents and accessories

### Parts

1 x 18.5" Colour monitor

1 x Digital video recorder

1 x Mouse

4 x ECD150 Dome cameras

4 x CT256 20m BNC camera lead

4 x CT257 15m BNC Extension lead

1 x Built-in Power supply

1 x 230v supply lead

1 x 110v supply lead

### Optional Extras

1 x USB Drive

Additional 20m BNC camera lead (B5008)

Additional 15m BNC camera lead (B5009)

Additional four camera kit (B004940)

Single camera (B004942)